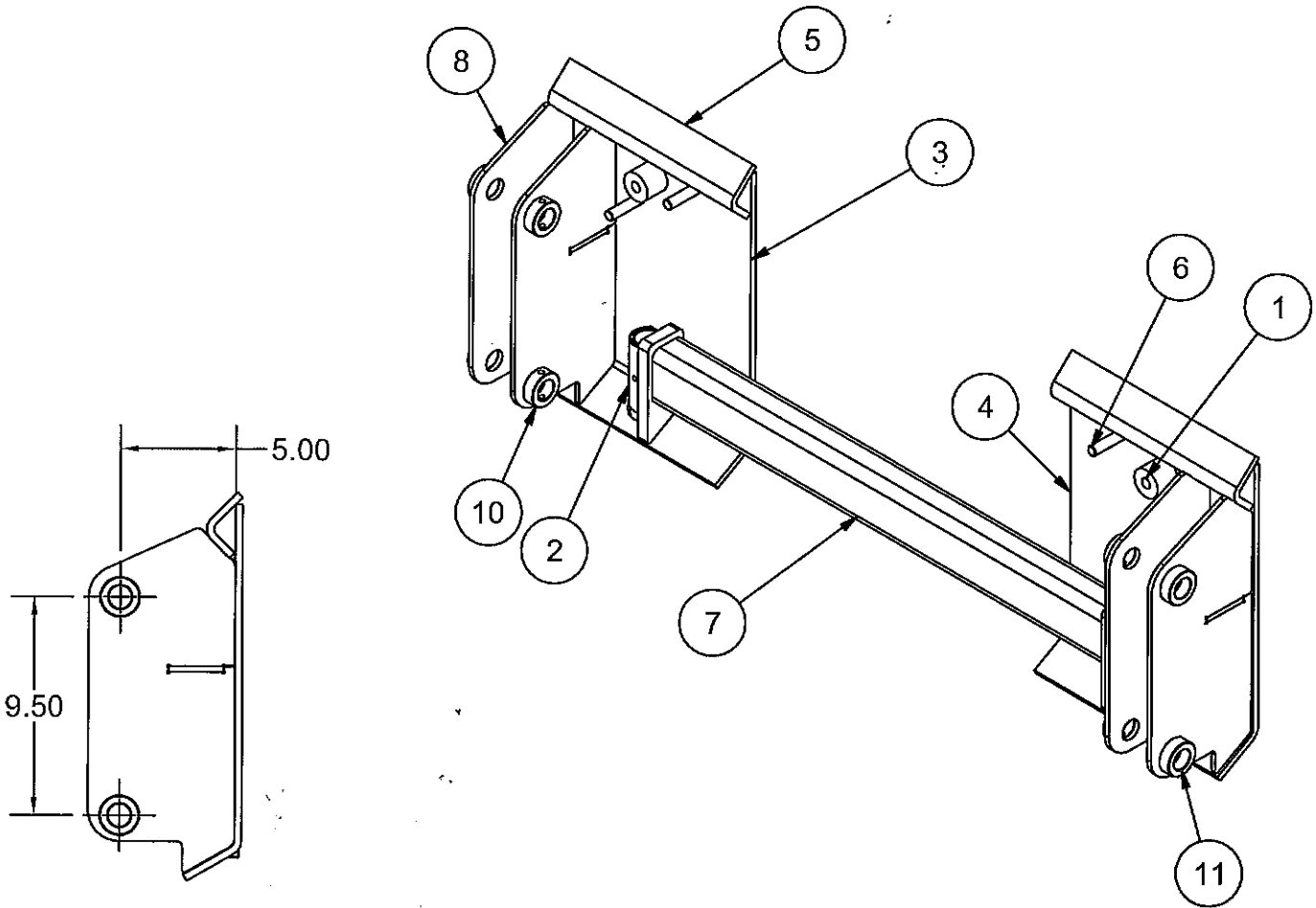


Parts List

ITEM	QTY	PART NUMBER	DESCRIPTION
1	2	832548	Pivot Block, Handle
2	2	832549	Bushing, Lock Pin
3	1	832552	Plate, L.H.
4	1	832553	Plate, R.H.
5	2	832554	Hook Bar, Upper
6	4	832559	Pin, Handle Stop
7	1	832622	Tube/Endplates Sub-Weldment
8	4	832806	Plate, Kubota Adaptor
9	2	832807	Plate, Tie
10	4	832808	Collar, Adaptor (W/ Hole)
11	4	832809	Collar, Adaptor (W/O Hole)

MATERIAL	
Weldment	
TOLERANCES (EXCEPT AS NOTED)	DECIMALS XXX ± .010

WHERE USED	MODEL	QTY	SYM	REVISION RECORD	ECN NO.	DATE	BY
832810	Kubota	1	(A)	Changes made to 832805	1781	6/6/14	MTJ
	Adaptor						



Sheet 1 of 2

FRACTIONAL XX ± 1/32		ANGULAR ± 1		W WORKSAVER INC P.O. BOX 100 LITCHFIELD IL 62056				TITLE Kubota Adaptor Weldment (LA 401, 402 Etc)	
				SCALE 1/8	DRAWN BY MTJ	DATE 6/6/2014	DRAWING NUMBER 832805		